

# SolarRiver Series

SolarRiver 1100TL / 1600TL / 2300TL / 3000TL  
3300TL / 4400TL / 5200TL ( Single phase )

## Features:

### Leading-edge Technology

- Wide MPP voltage range
- Compact design
- Transformerless - minimizing size and weight
- MPPT efficiency: **99.9%**

### Flexibility

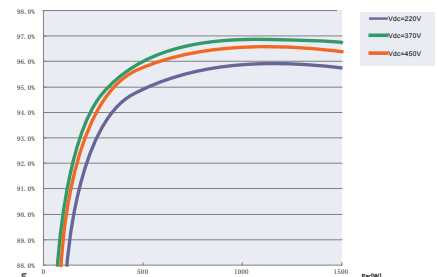
- Use for indoor or outdoor (IP65)
- "Plug and play" connection for easy installation and maintenance
- Multi-lingual display
- Easy configuration for different country grid standard

### Built to last

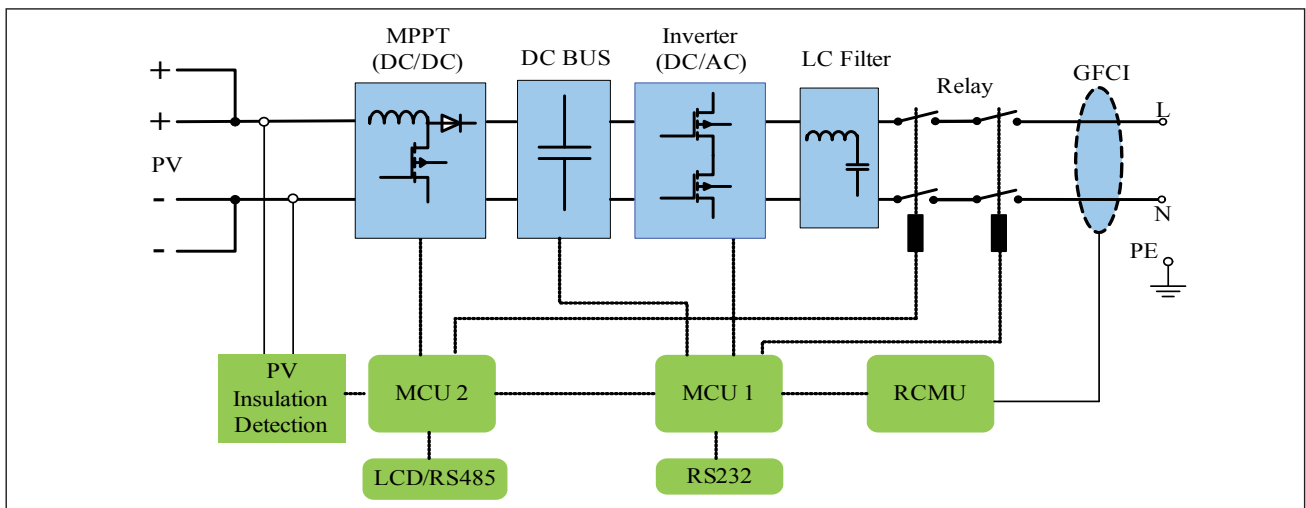
- Automatic protection including over voltage, islanding, short circuit, overload and under voltage, under load, etc.
- 5 years standard warranty, up to 25 years warranty extension



SolarRiver 2300TL Efficiency



## SolarRiver Topology



# Data Sheet

# SolarRiver Series

Inverter Model	SolarRiver 1100TL	SolarRiver 1600TL	SolarRiver 2300TL (SR2K2TLA1)	SolarRiver 3000TL (SR2K8TLA1)	SolarRiver 3300TL (SR3K3TLA1)	SolarRiver 4400TL (SR4K4TLA1)	SolarRiver 5200TL (SR5KTLA1)
----------------	-------------------	-------------------	-------------------------------	-------------------------------	-------------------------------	-------------------------------	------------------------------

## Input (DC)

Max. DC power [W]	1100	1600	2300	3000	3480	4580	5200
Max. DC voltage [V]	500	500	550	550	550	550	550
Max. input current [A]	8.8	9.7	11	13.5	17.5	21	26
Number of MPP trackers /Strings per MPP tracker	1 / 1	1 / 1	1 / 1	1 / 1	1 / 2	1 / 2	1 / 2
MPPT voltage range (at rated power) [V]	120 ~ 425	160 ~ 425	200 ~ 500	210 ~ 500	200 ~ 500	200 ~ 500	200 ~ 500
Shutdown voltage /Start voltage [V]	70 / 100						

## Output (AC)

AC nominal power [W]	1000	1500	2000	2600	3000	4000	4600
Max. AC power [W]	1000	1500	2200	2800	3300	4400	5000
Max. AC current [A]	5.5	8.3	11	13.8	16	22	24
Nominal AC voltage / range [V]	230 / 180~270						
AC grid frequency / range [Hz]	50 / 47~52						
Power factor (cosφ)	1						
Total harmonic distortion (THDi) (at nominal power)	<3%						

## Efficiency

Max. efficiency	96.6%	96.8%	96.8%	97.0%	97.4%	97.6%	97.6%
Euro efficiency	95.5%	96.0%	96.2%	96.3%	96.5%	97.1%	96.8%
MPPT efficiency	99.9%						

## General data

Dimensions (W / H / D) [mm]	285/385/145	285/385/145	332/450/161	332/450/161	329/433/180	329/433/180	329/433/180
Weight [kg]	15	15	17.5	17.9	18.9	19.2	19.4
Operating temperature range [°C]	-20 ~ +60						
Ingress protection	IP65						
Topology	transformerless						
Internal consumption (night) [W]	0						
Cooling concept	Convection	Convection	Convection	Convection	Convection	Fan	Fan
Noise (typical) [dB]	<28	<28	<30	<30	<30	<40	<40
LCD display	Backlight, 16*2 Character LCD						
Communication port	RS232	RS232	RS485/RS232	RS485/RS232	RS485/RS232	RS485/RS232	RS485/RS232
Standard warranty [year]	5						

Inverter Model	SolarRiver 1100TL	SolarRiver 1600TL	SolarRiver 2300TL (SR2K2TLA1)	SolarRiver 3000TL (SR2K8TLA1)	SolarRiver 3300TL (SR3K3TLA1)	SolarRiver 4400TL (SR4K4TLA1)	SolarRiver 5200TL (SR5KTLA1)
----------------	-------------------	-------------------	-------------------------------	-------------------------------	-------------------------------	-------------------------------	------------------------------